

Air Cooling Jacket for Dimetix D-Series Standard Laser Sensors 500303

Manual

V 1.1

17.04.2019



Table of content

1 General Information	3
2 Specification	3
3 Assembly	3
4 Base Alignment	6
5 Mounting air line	7
5.1 LCD Status.....	8
6 Pictures	8
7 Air Cooling Jacket Structure	9
7.1 Air Cooling.....	10
8 Drawing	11



1 General Information

- This Air Cooling Jacket can be used with all Dimetix D-Series Laser Sensors that are equipped with standard interfaces. The sensor extensions PROFINET, Ethernet/IP and EtherCAT can't be used with this Air Cooling Jacket.
- The D-Series Laser Sensor, Air-cleaner, Air-dryer, Air-filter, Pressure reduction and air regulator are not included.

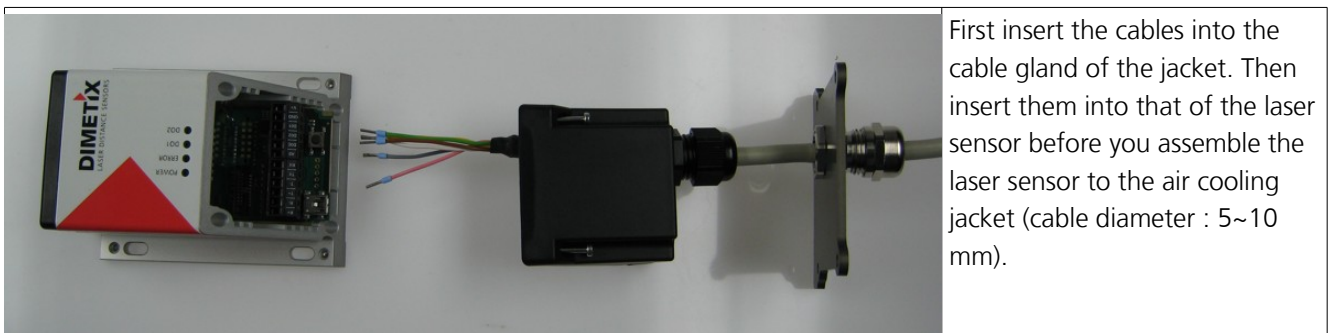
2 Specification

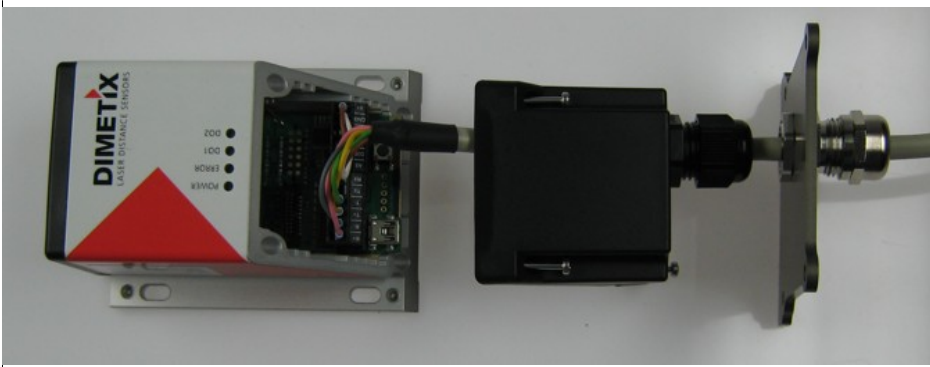
Outer Tube diameter:	8mm
Air nipple size:	PT 1/8"
Cable gland:	M16
Mounting:	Mounting slots for M5 / M4 screws
Size:	width: 85mm x length: 235mm x height: 158mm
Weight approx.:	1.264kg
Material:	Housing body : Aluminum Hard anodizing
Not included:	The D-Series Laser Sensor, Air-cleaner, Air-dryer, Air-filter, Pressure reduction, air regulator are not included
Compatible to:	All Dimetix D-Series Laser Sensors with standard interfaces
Important:	Not for PROFINET, Ethernet/IP and EtherCAT type

3 Assembly

First insert the cables into the cable gland of the jacket. Then insert them into the laser sensor before you assemble the laser sensor to the air cooling jacket (cable diameter : 5~10 mm).

The laser sensor's cable gland can be used in a narrow space of the jacket as the inserted cable gland of the laser sensor and the jacket is designed to be aligned.



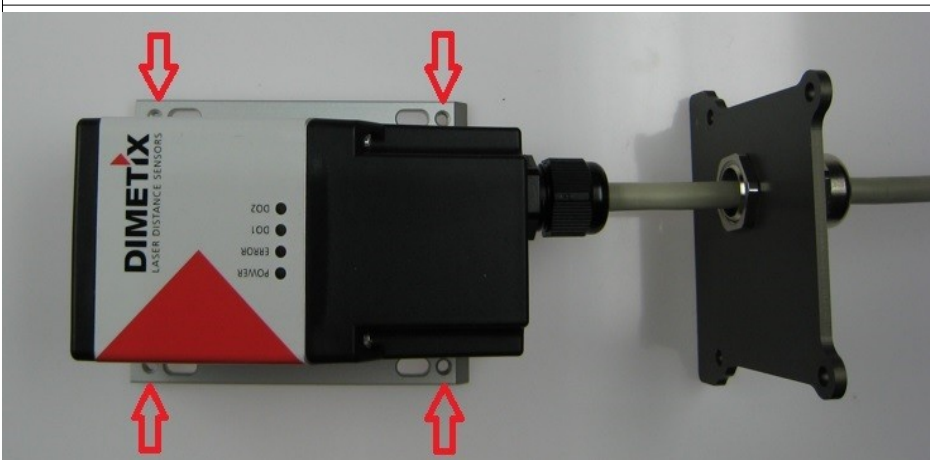


The Laser sensor's cable gland can be used in a narrow space of the jacket as the inserted cable gland of the laser sensor and the jacket is designed to be aligned.



Then close the sensor's rear cover after wiring to the laser sensor's terminal board.

Tighten the black cable gland

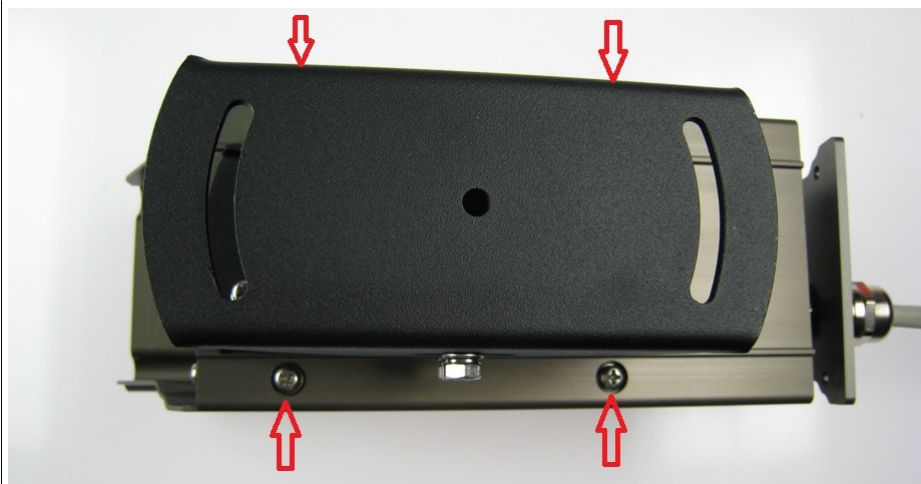


Remove the four hexagonal socket set screws. You need these tapped holes to mount the sensor into the jacket.



Slide the sensor into the air jacket.





Set the four screws and attach the sensor to the housing. The screws are automatically provided.



When you close the rear cover of the air cooling jacket, installation is easier without bending the cable inside the enclosure.

Set the four screws and attach the rear cover.

Finally, tighten the metallic cable gland.



4 Base Alignment



The tilting can be adjusted with the four screws on the two sides of the air jacket.

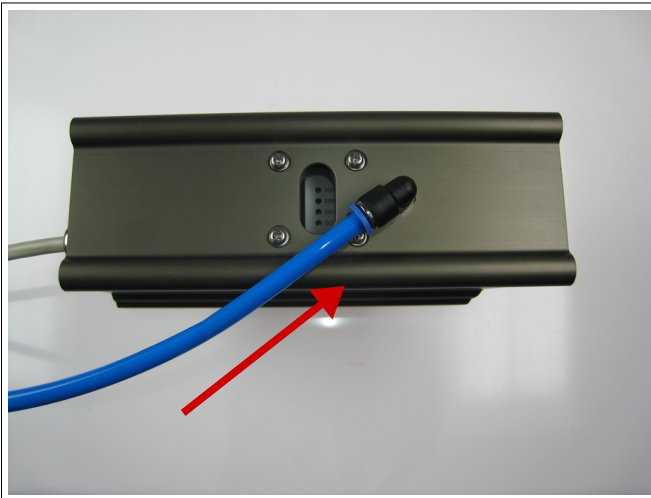
We recommend manually supporting the housing for alignment to prevent damaging the product because the housing's center of gravity is lurching forward.



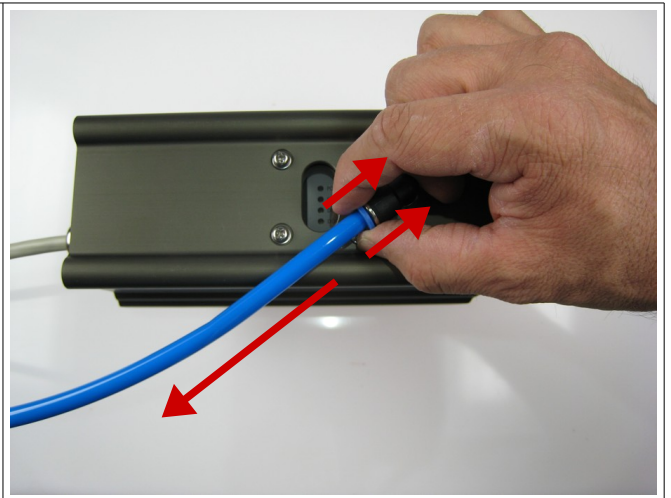
The rotation can be adjusted with the main fixing screws.



5 Mounting air line



Connect the 8mm tube into the quick coupling.



Remove the tube from quick coupling.



5.1 LED Status

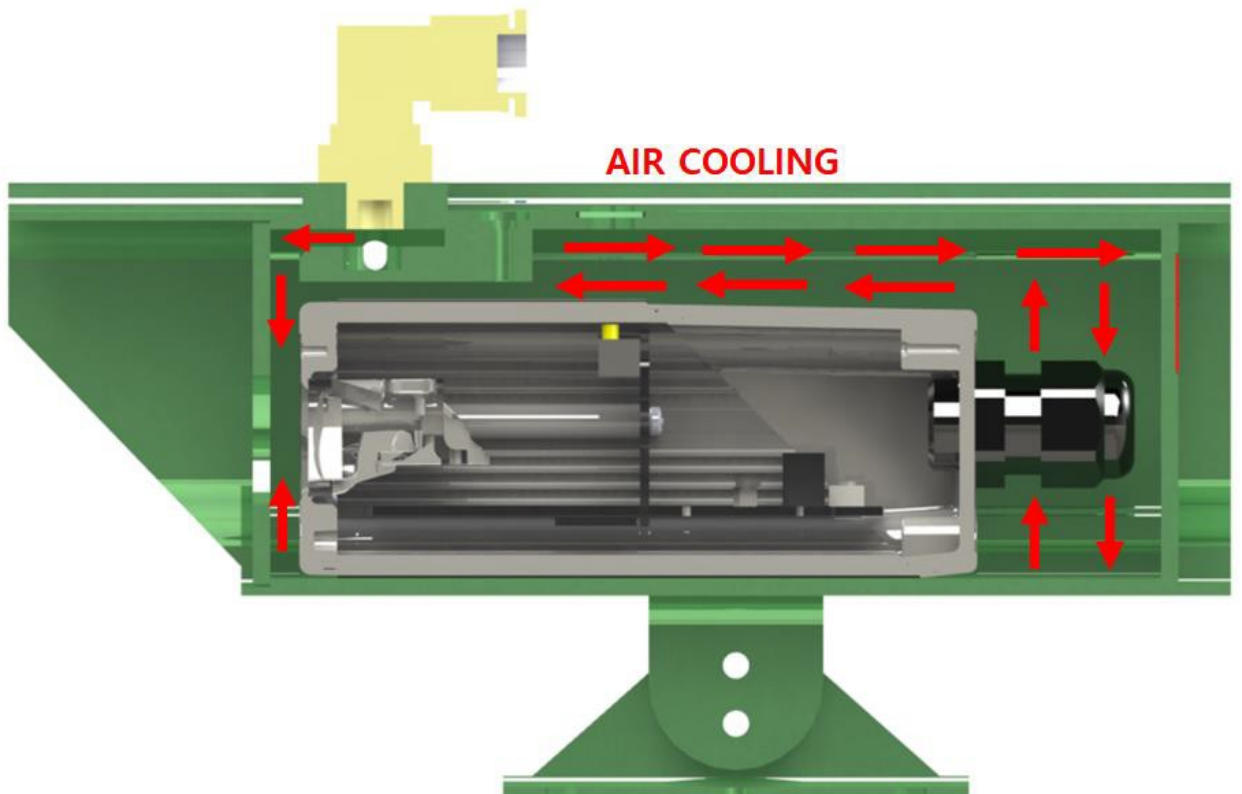
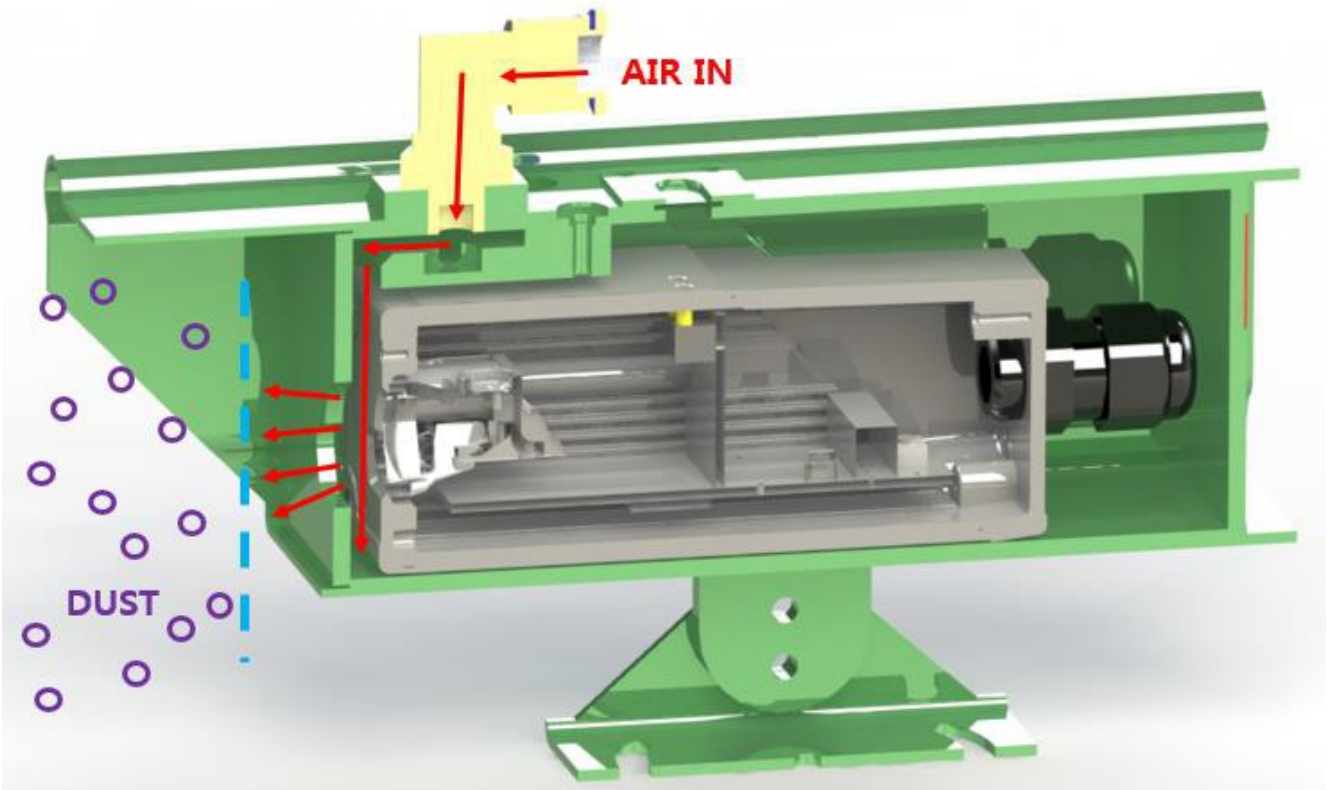


The user can see the sensor's operating status through the clear glasses on the housing top without pulling the laser sensor out. This makes it convenient to do maintenance or monitoring device on site.

6 Pictures



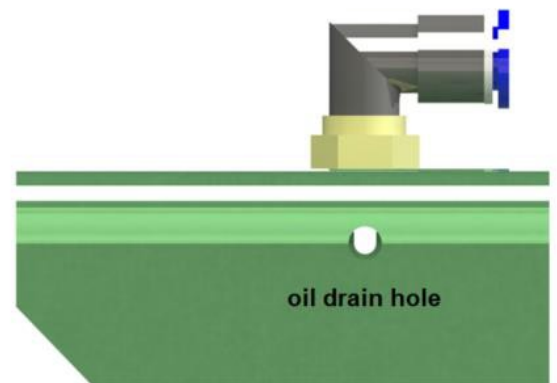
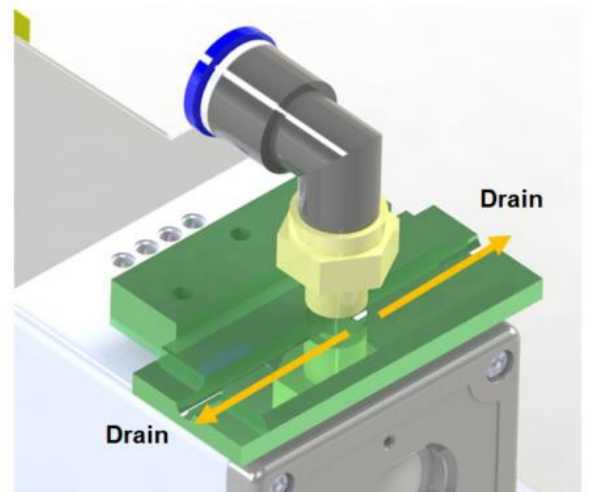
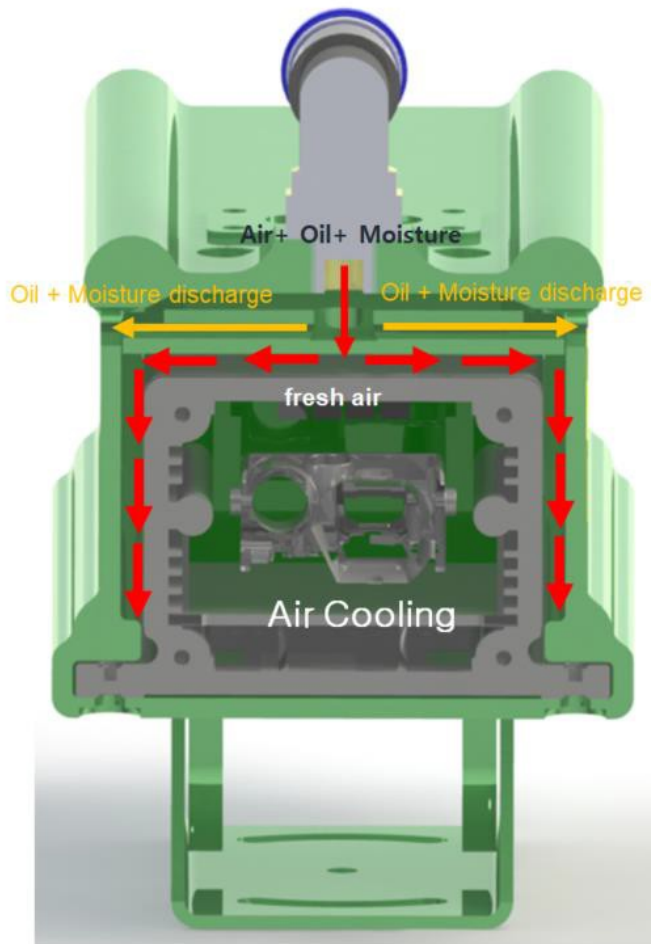
7 Air Cooling Jacket Structure



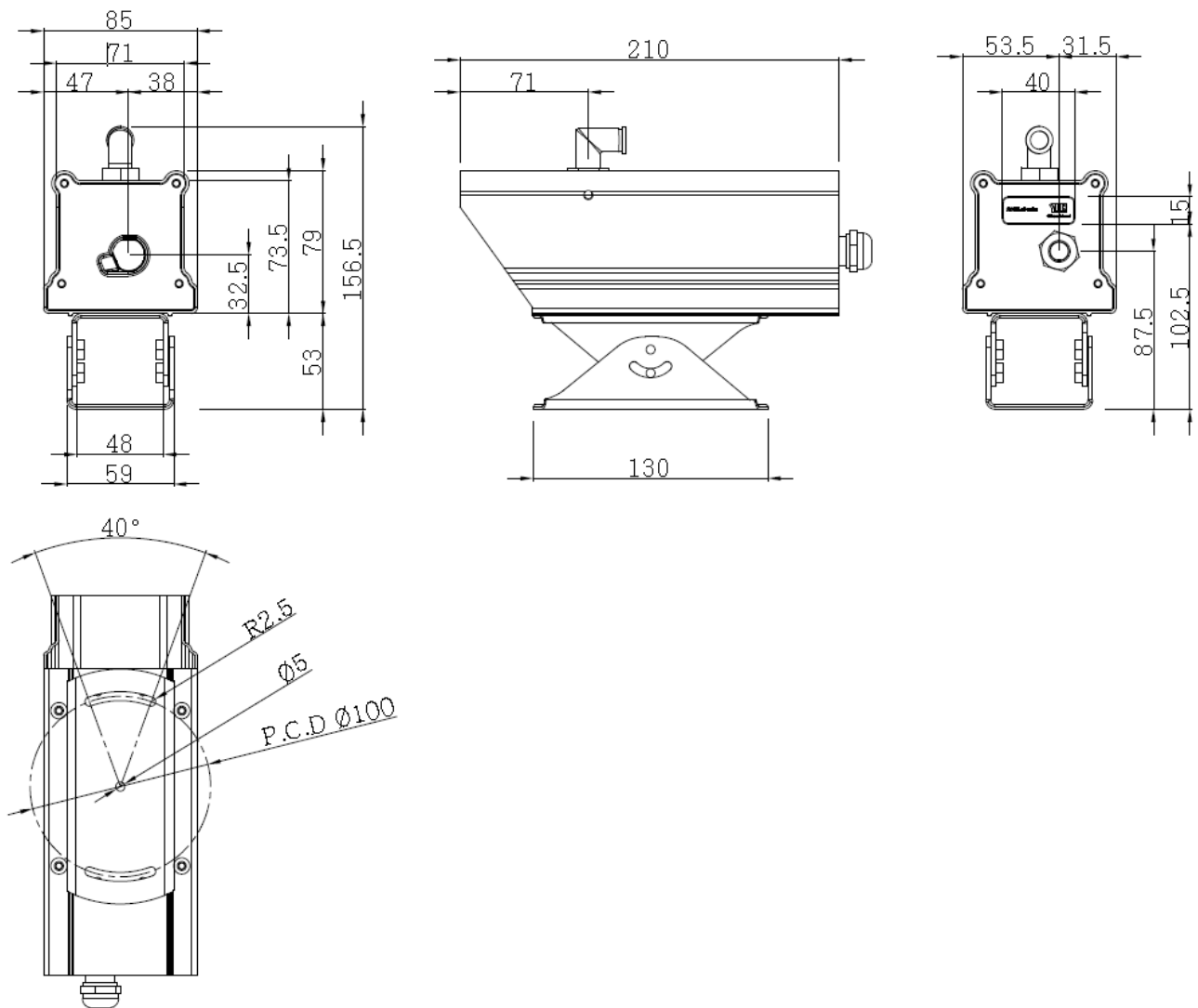
7.1 Air Cooling

Generally, the provided air must be clean, oil- and moisture free. Please use all the necessary equipment.

The air guide block has a jaw trough which oil and moisture are discharged through drainage channels. Only fresh air is left inside the housing, thus it performs both cooling and air purging functions.



8 Drawing



Dimensions in mm

Weight: 1.264 kg

